



**REVROY**

Solutions For Controlled Access



## REVROY PVT. LTD.

- ▶ Solutions for Controlled Access
- ▶ Entrance Automation in a new Dimension
- ▶ A Commitment & A Promise for Endearing Partnerships

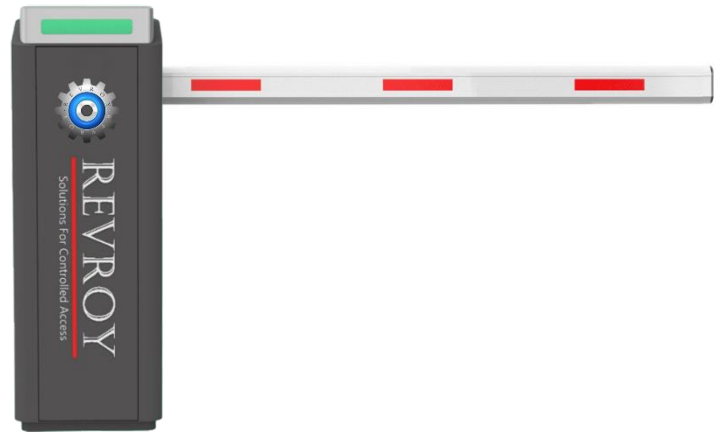


## THE DESIGN

The Revroy Brand of Boom Barrier **Model RR-Y024-LB Series** are not just robust and reliable but are also aesthetically designed to appear and serve its purpose. The modern and classy design is to meet the demands of our discerning customer's requirement of barriers that not only offer long reliable life but also give their facility a modern appeal with thoughtfully built-in LED Lights on the cabinet that address & serve several aspirations & requirements.

### OVERVIEW:

The Revroy Boom Barrier **Model RR-Y024-LB Series** combines robust reliability and aesthetic design to fulfil the sophisticated demands of modern security and access control. Designed with state-of-the-art features, including built-in LED lights, this series not only enhances the functionality of any facility but also elevates its appearance.



### KEY FEATURES:

#### MATERIAL AND FINISH:

The barrier cabinet is constructed from mild steel and finished with a powder coating in orange to ensure durability and resistance to environmental elements, providing IP54 protection.

**DIMENSIONS:** The barrier measures 350 mm x 240 mm x 1050 mm, optimizing space without compromising functionality.

**BOOM PROFILE:** Features an octagonal extrusion made from aluminium, measuring 90 mm in height and 45 mm in width, designed to offer stability and low wind resistance while ensuring high visibility.

#### DRIVE MECHANISM:

**MOTOR:** At the core of the boom barrier is a 24V DC Servo motor, providing robust performance and a long product lifecycle.

**CONSTRUCTION:** The drive mechanism is supported by a frame made from aluminium alloy, manufactured through die-casting and meticulously engineered to precise dimensions.

**GEAR SYSTEM:** Utilizes a parallel gear reduction setup that ensures high transmission efficiency with low power loss. The gears are crafted from high-strength carbon steel, carburized and heat-treated for durability, wear resistance, and impact resistance.

**PERFORMANCE:** The boom moves smoothly, with adjustable speed settings that allow for gentle acceleration and deceleration at both open and close endpoints, ensuring safe and reliable operation.

**VERSATILITY:** The controller is engineered for flexibility, featuring adjustable parameters to tailor the barrier's operation to specific site requirements.

**FUNCTIONALITY:** Includes settings for boom length adjustment, operational speed, braking positions, and modes of engagement for opening and closing the barrier.

**ADDITIONAL FEATURES:** Comes standard with a Single Channel Loop Detector, with options for a Radar Sensor or P E Beam, depending on site-specific needs.

**VISIBILITY AND SAFETY:** The boom arm can be equipped with an optional integrated Red/Green flashing light to enhance visibility, aesthetics, and safety.

**APPLICATIONS:**

The RR-Y024-LB Series is ideal for a variety of applications including, but not limited to, commercial properties, residential areas, industrial sites, and government facilities, where both aesthetics and performance are prioritized.

**CONCLUSION:**

The **Revroy Boom Barrier Model RR-Y024-LB Series** is designed to meet the dual needs of functionality and form, offering a reliable, durable, and visually appealing solution for modern access control and perimeter security requirements. This series ensures that every aspect, from the drive mechanism to the user interface, operates at the highest level of precision and efficiency, tailored to meet and exceed the expectations of our discerning clientele.

| Technical Parameters           |  |
|--------------------------------|--|
| Cabinet Dimensions             | 330 X 240 X 930mm                          |
| Power Supply                   | DC24V                                      |
| Operation (Open/Close) Speed   | 1.5s to 6s (Depending on arm length)       |
| Working Temperature            | -35°C ~ +85 °C                             |
| Rated Current                  | 8.58A                                      |
| Rated Power                    | 120W                                       |
| Motor No-load Speed            | 1850 rpm                                   |
| Output Power                   | 56.8 Nm                                    |
| Humidity                       | ≤90%                                       |
| Remote Control Distance        | ≤100m (Under Open Sunny Weather)           |
| Protection Grade               | IP54                                       |
| Max Boom Length                | 6M   |
| Barrier Life Time              | 10 Million Cycles 35,000 Operations a day. |
| Operation During Power Failure | Manual Opening                             |





| Model No. with Straight Boom Arm | Boom Length | Opening Speed in Secs. | Closing Speed in Secs. |
|----------------------------------|-------------|------------------------|------------------------|
| Model RR-024-LB 20               | < 2500 mm   | 3                      | 3                      |
| Model RR-024-LB 25               | 2500 mm     | 3                      | 3                      |
| Model RR-024-LB 30               | 3000 mm     | 3                      | 3                      |
| Model RR-024-LB 35               | 3500 mm     | 3                      | 3                      |
| Model RR-024-LB 40               | 4000 mm     | 3                      | 3                      |
| Model RR-024-LB 45               | 4500 mm     | 4                      | 4                      |
| Model RR-024-LB 50               | 5000 mm     | 5                      | 5                      |
| Model RR-024-LB 55               | 5500 mm     | 5                      | 5                      |
| Model RR-024-LB 60               | 6000 mm     | 5                      | 5                      |

## WARRANTY

The Barriers come with a warranty of Two Years from the date of Invoice or 30 Months from the date of Installation (whichever earlier) against manufacturing defect.

## SERVICE & INSTALLATION SUPPORT

Service & Installation support can be offered through our "Tech Support" partners. Request for such support however must be raised with the Technical Support Team @ REVROY.

## BARRIER CABINET

Barrier Cabinets are orange in Colour. However, Special Colours may also be offered at Additional Cost depending on the colour.



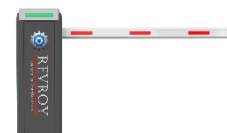
## RR-024-LB SERIES BARRIER: BOOM ARM OPTIONS

### BOOM ARM VARIANTS:

The RR-024-LB Series Barrier offers versatility in its boom arm options, catering to a wide range of applications and site conditions. Whether it's height restrictions in basement installations or the need to protect the space below the boom arm, our barrier systems provide solutions to address diverse requirements.

### STANDARD STRAIGHT BOOM ARM:

The standard boom arm is designed for applications where there are no height restrictions, and these are typically the straight arms that can be supplied to block road widths of up to 6000mm.



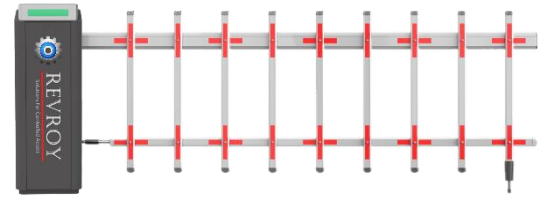
### ARTICULATED BOOM ARM:

In scenarios where height restrictions are a concern, the barrier can be equipped with an articulated boom arm. This design allows for flexibility in movement, accommodating low ceilings or overhead obstacles without compromising functionality. The Maximum Boom length for such applications cannot be more than 4.5 meters & the operation Speed is 5 Secs.



## BOOM SKIRT OR FENCE ARM BARRIER:

For applications where protection of the space below the boom arm is necessary, such as preventing unauthorized access or securing valuable assets, the barrier can be outfitted with a boom skirt or fence arm. These specialized boom arms incorporate collapsing aluminium channels that hang from below the boom arm, effectively blocking access to the area below. The Maximum Boom length for Arms with Boom Skirt will be  $\leq 4.5$  meters & the operation Speed is 5 Secs.

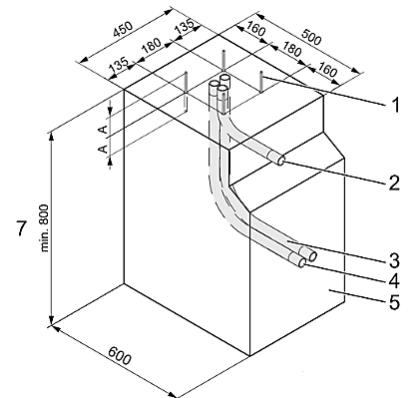
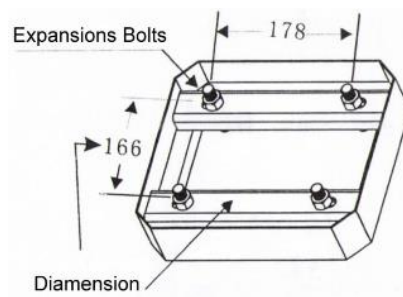
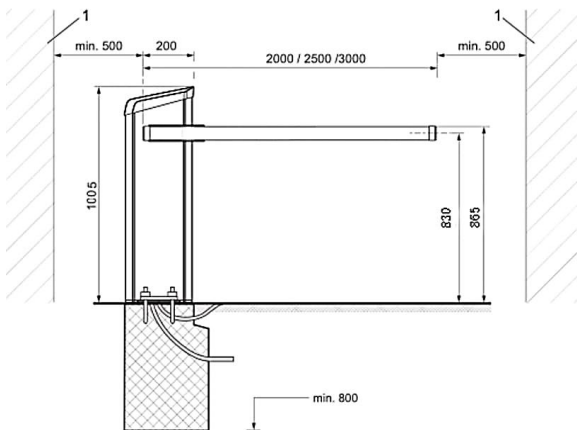


## LED LIGHT INTEGRATED BOOM ARMS:

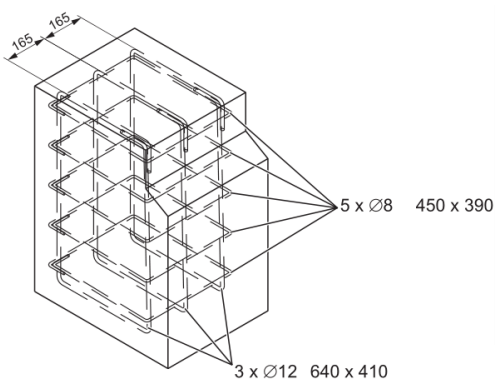
The Aluminium Booms are White in Colour with **Red** Reflective Tapes for better visibility. **Red & Green** Flashing Lights integrated with the Boom can be offered as an option. The Boom will **Flash Green** when the Barrier Arm is Opening & **Flash Red** when the Arm is closing.



## FOUNDATION DETAILS



1. Fixing bolts (4 pcs)
2. 29mm diameter cable tube for inductive coil wire
3. 29mm diameter cable tube for power wire
4. 29mm diameter cable tube for controller wire
5. Concrete basement (BH PC250, strength = 25N / mm<sup>2</sup>)



1. The concrete in the foundation is BH PC 250 grade concrete (strength 25N/m<sup>2</sup>).
2. The base surface must be smooth so that the barrier machine case can be level and horizontally installed on it. After the concrete has been poured, the fixing screw holes can be drilled on the base surface according to the position shown on picture.
3. Drilling distance: 170mm (square arrangement, see picture).
4. Hole diameter: 16mm Hole depth: 100mm
5. After drilling the hole, install the four M16 × 150 set fixed screws in four holes.





# REVROY

Solutions For Controlled Access

## CONTACT

Ravi@revroy.com

+91 080 41302021, +91 080 41571225, +91 9840294082

### South

Prem@Revroy.Com  
+919900013769

### West

RevroySales1@Revroy.Com  
+918792918954

### Tech Support

Techsupport@Revroy.Com  
+918792918953

### SALES OFFICE

No.#13, Hamdh Court Building,  
Mother Teresa Road, Austin Town,  
Bangalore-560 047, India

### FACTORY

Plot No 143-B, Bommasandra Industrial Area  
Bangalore-560099, Karnataka. India.  
+91 80 41658921

“Finest from the very best from around the world”



[www.revroy.com](http://www.revroy.com)